



A256 Series Air Filter & Regulators

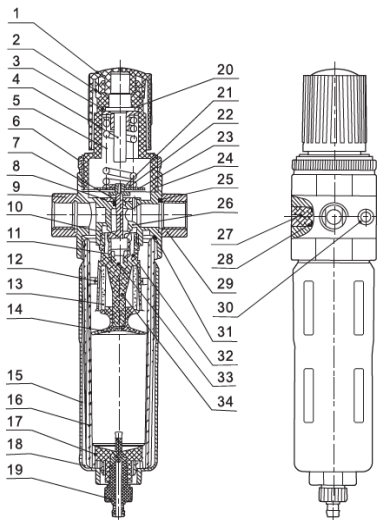
A256 Series Air filter regulators are used to regulate the inlet pressure, clean the compressed air from condensation and dirt particles and supply clean and dry air into actuators and other instruments.



Technical Specifications

Port Size	G1/4"	G1/2"	G1"
Applicable Medium	Compressed Air		
Mounting Type	Pipe mounting or foot mounting		
Assembly Position	Vertical $\pm 5^\circ$		
Working Pressure Range	0.05~1.2 MPa		
Temperature Range	0°C ~ 60°C		
Grade of filtration	40 μm		
Nominal Flow Rate (40 μm) L/min	1400	3400	10.000
Capacity of Condensate Fluid	22ml	40ml	80ml

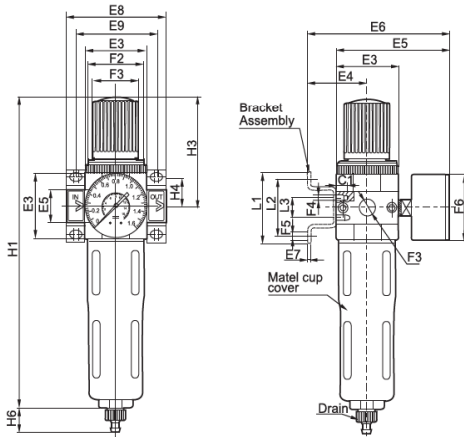
Material List



No	Part Name	Material
1	Pressure Knob	POM
2	Regulator cap	POM
3	Regulator nut	S35C
4	Adjusting Spindle	S35C
5	Pressure spring	SWC
6	Fixed ring	6061-T6
7	One part of membrane	PA6+G15
8	O-ring	NBR
9	Flange-IN	Zinc alloy
10	Spool	Brass
11	O-ring	NBR
12	Whirl wing impeller	POM
13	Filter element	PE
14	Manger	POM
15	Metal Bowl guard	Aluminium alloy
16	Filter Bowl	PC
17	O-ring	NBR

No	Part Name	Material
18	Inner Joint	POM
19	Condense drain	POM
20	Wearing sheet	Insulation sheet
21	OR sheet	NBR
22	Overflow base	6061-T6
23	One Part of diaphragm	SPCC
24	Diaphragm	NBR+Nylon+Mesh
25	O-ring	NBR
26	OR Body	Zinc Alloy
27	Plug	POM
28	O-ring	NBR
29	Flange Out	Zinc Alloy
30	Allen Screw	S35C
31	O-ring	NBR
32	Spring	SWPB
33	Fasteners	Brass
34	Filter element base	POM

Dimensions(mm)



Model	E3	E4	E5	E6	E8	E9	F1	F2
G1/4"	40	39	76	95	64	52	G1/4"	M36X1.5
G1/2"	55	47	93	112	85	70	G1/2"	M52X1.5
G1"	66	53	104	124	96.116	80.91	G1"	M36X1.5

Model	F3 Φ	F4	F5 Φ	F6 Φ	L1	L2	L3	H1	H4	H5	H6
G1/4"	31	M4	4.5	40	44	35	11	194	69	17.5	20
G1/2"	50	M5	5.5	52	71	60	22	250	98	24.5	32
G1"	31	M5	5.5	63	71	60	22	252	80	24.5	15